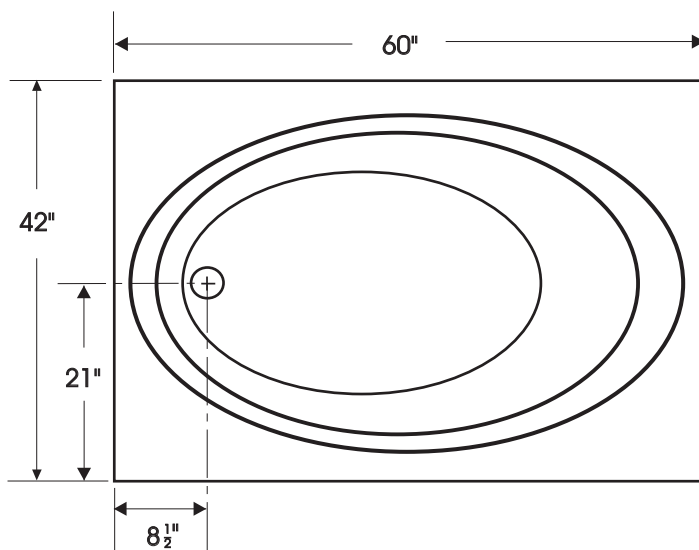
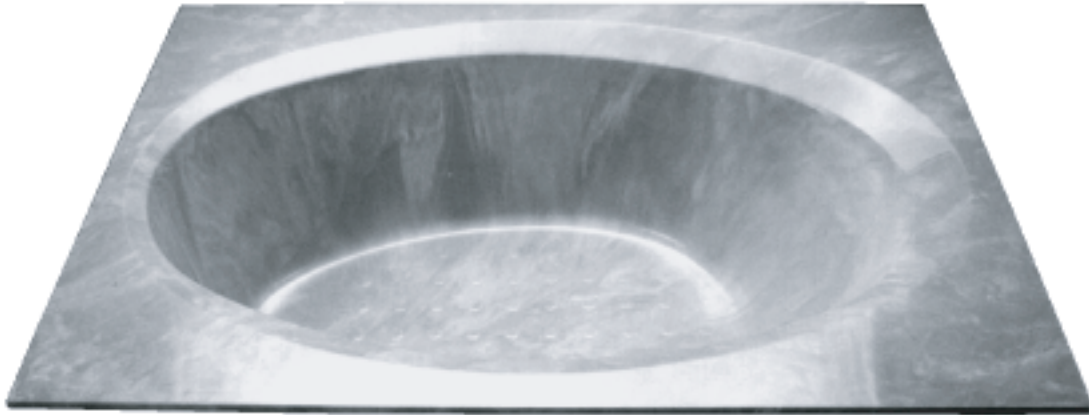


# LASÖ

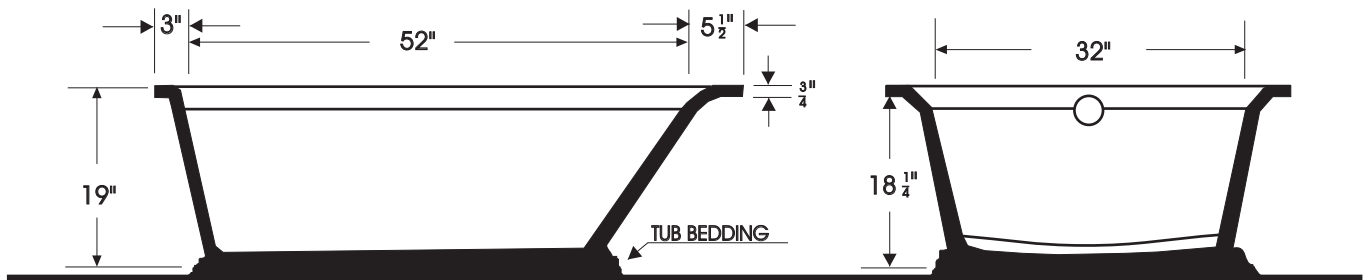
#315



## SPECIFICATIONS

Length in inches	60"
Width in inches	42"
Height in inches	19"
Weight in pounds	157
Water capacity to overflow in U.S. gallons	65

**DO NOT SCALE  
THESE DRAWINGS**



## SPECIAL NOTES

Calcium carbonate or limestone bathtubs are poured products ranging from 1/2" to 5/8" in thickness with a gel coat finish. This material greatly improves the insulation qualities and overall strength of the product. Bathtub must be set on a flat surface capable of supporting the unit and additional weight of water and human element. Bathtub must be set in mortar mix, plaster of paris or equal bedding completely encompassing the underside of tub footing.