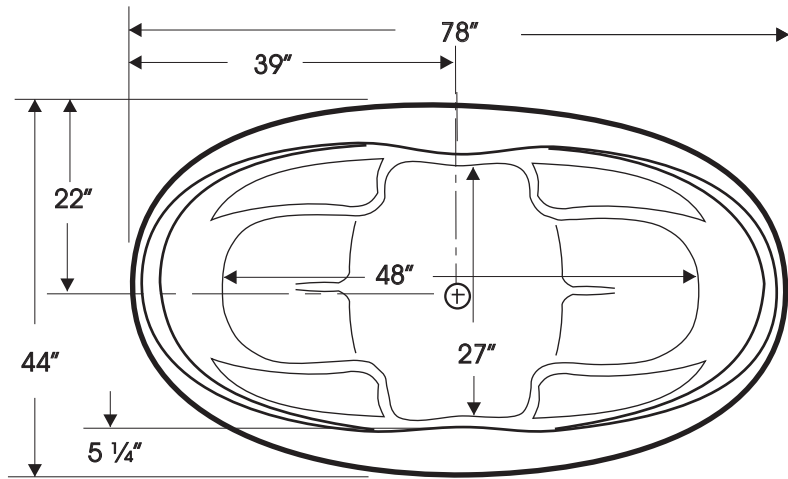


JAPHET III

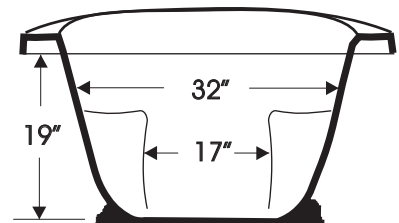
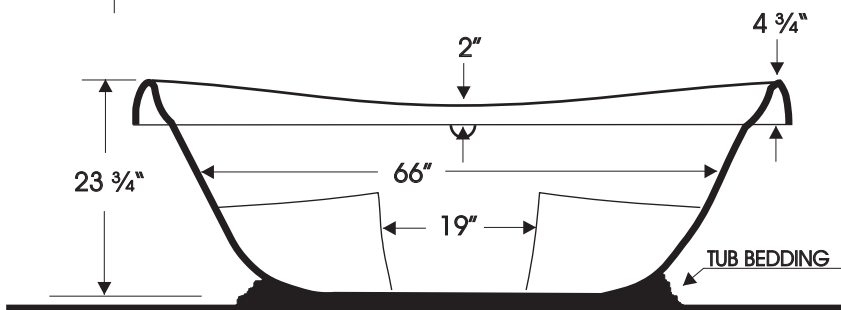
#3130



SPECIFICATIONS

Length in inches	78"
Width in inches	44"
Height in inches	23 3/4"
Weight in pounds	175
Water capacity to overflow in U.S. gallons	100

DO NOT SCALE THESE DRAWINGS



SPECIAL NOTES

Calcium carbonate or limestone bathtubs are poured products ranging from 1/2" to 5/8" in thickness with a gel coat finish. This material greatly improves the insulation qualities and overall strength of the product. Bathtub must be set on a flat surface capable of supporting the unit and additional weight of water and human element. Bathtub must be set in mortar mix, plaster of paris or equal bedding completely encompassing the underside of tub footing.